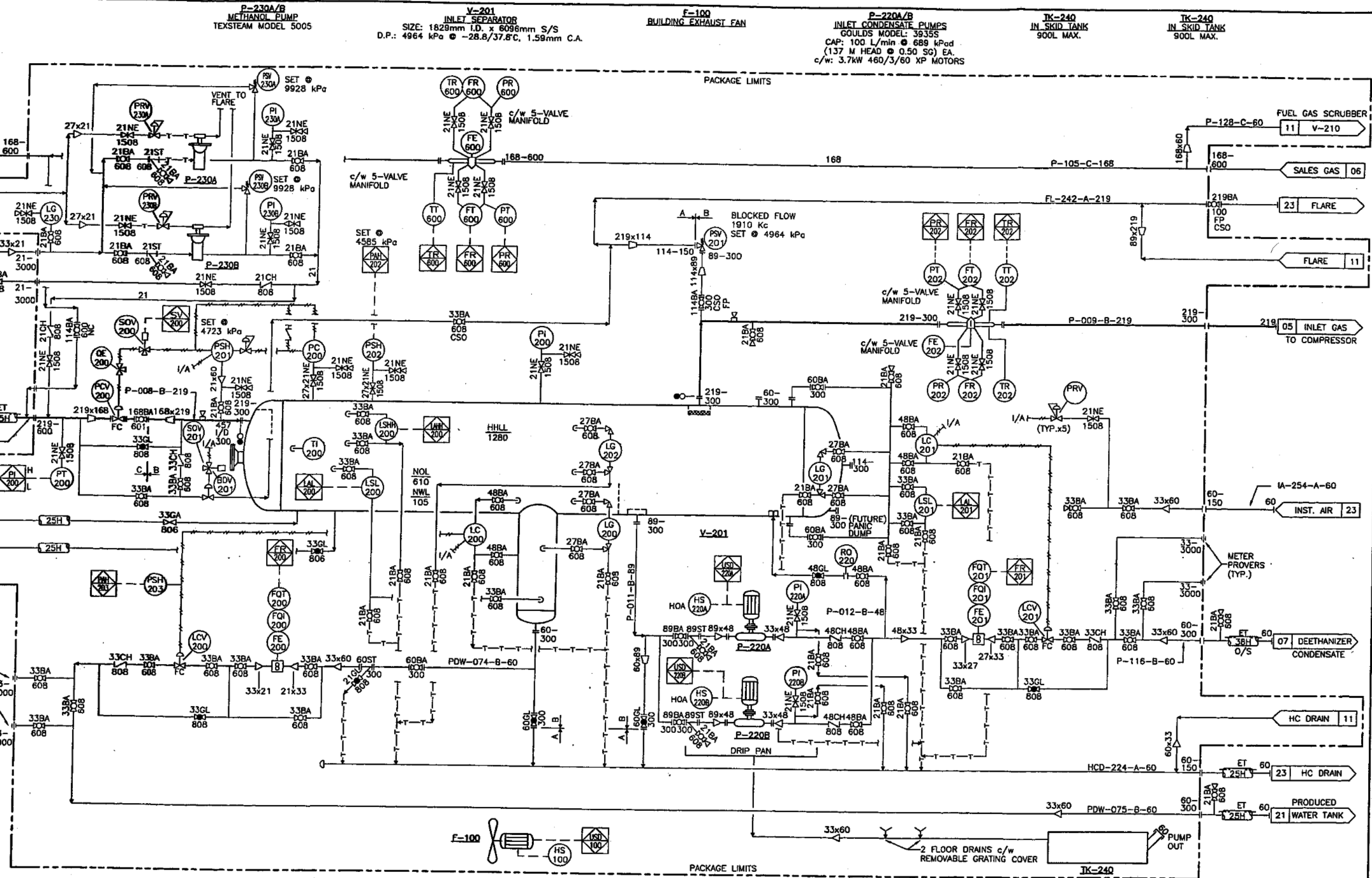


THE DESIGN IT CARRIES ARE CONFIDENTIAL AND THE PROPERTY OF PROPAC SYSTEMS LTD. AND SHALL NOT BE DISCLOSED TO OTHERS OR REPRODUCED IN ANY MANNER OR USED FOR ANY PURPOSE WHATSOEVER EXCEPT BY WRITTEN CONSENT OF PROPAC.



GENERAL NOTES		GENERAL NOTES	
1	ISSUED FOR CONSTRUCTION	1	ISSUED FOR CONSTRUCTION
2	GENERAL REVISIONS	2	GENERAL REVISIONS
3	HAZOP REVIEW REVISIONS	3	HAZOP REVIEW REVISIONS
4	GENERAL REVISIONS	4	GENERAL REVISIONS
5	AS BUILT	5	AS BUILT

DATE: 2001.05.30 11:43am FILE NAME: J:\jobs00\Dwg\00204\FLW\MFS-00204-100-04.dwg

No.	REVISION	BY	DATE	CKD	ENG
1		A. SIS	01/05/01		
2		D. DOR	01/03/01	MP	MP
3		D. DOR	01/03/01	MP	MP
4		D. DOR	01/01/01	MP	MP
5		H. LE	01/01/00	MP	MP
6		N. BOR	00/12/00	MP	MP
7		C. WEST	00/12/00	MP	MP

APPROVED		DRAWN	
MECH./STRUCT.	BY	ID	DOR
DATE	DATE	NOV. 23/00	
ELECTRICAL	BY	M. PREECE	CHECKED
DATE	DATE	JAN. 23/01	
PROJECT	M. PREECE		
DATE	JAN. 23/01		
SCALE			

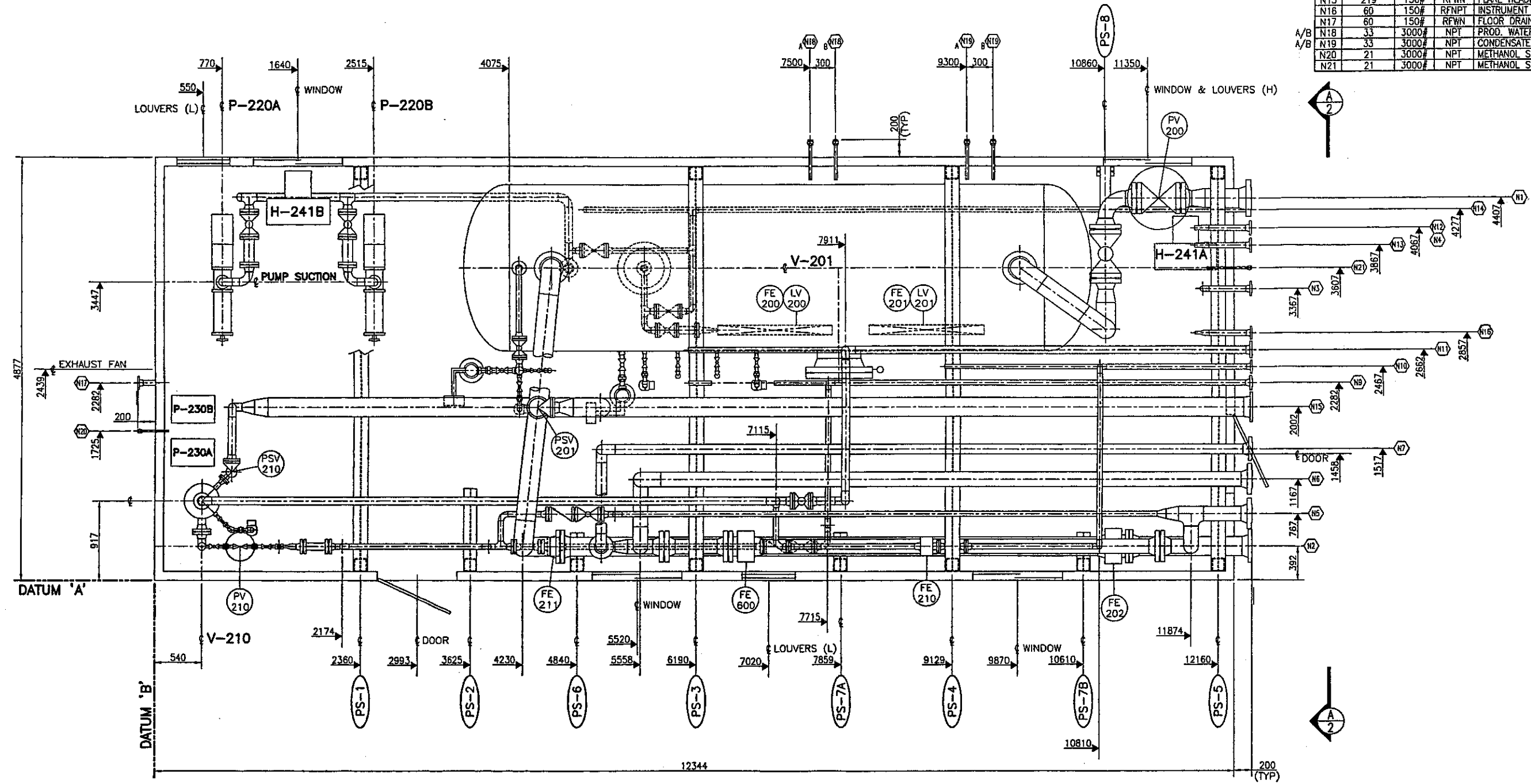
**BP CANADA ENERGY COMPANY**  
 440 East Lake Road,  
 Postal Bag #2  
 Airdrie, Alberta  
 Canada T4B 2C3

**CALLUM GAS PLANT**  
**INLET SEPARATOR PACKAGE**  
**MECHANICAL FLOWSHEET**

DWG. No.: D-MFS-00204-100 SHT. 4 OF - REV. 5

THE DESIGN IT COVERS ARE CONFIDENTIAL AND THE PROPERTY OF PROPAK SYSTEMS LTD., AND SHALL NOT BE DISCLOSED TO OTHERS OR REPRODUCED IN ANY MANNER OR USED FOR ANY PURPOSE WHATSOEVER EXCEPT BY WRITTEN CONSENT OF PROPAK.

NOZZLE SCHEDULE					
MK	SIZE	RATING	FACING	SERVICE	± ELEVATION
N1	219	600#	RFWN	INLET GAS/HC/WATER	460
N2	219	300#	RFWN	INLET GAS TO COMPRESSOR	905
N3	60	300#	RFWN	CONDENSATE TO DEETHANIZER	3850
N4	60	150#	RFWN	WATER TO STORAGE TANK	180
N5	168	600#	RFWN	SALES GAS INLET	3804
N6	168	600#	RFWN	SALES GAS OUTLET	3804
N7	114	600#	RFWN	SALES GAS TO INLET GAS BYPASS	3777
N8	-	-	-	-	-
N9	60	600#	RFWN	BUY BACK FUEL GAS INLET	3750
N10	60	150#	RFWN	FUEL GAS OUTLET	3750
N11	89	150#	RFWN	START GAS TO COMPRESSOR	3765
N12	60	300#	RFWN	HEAT MEDIUM SUPPLY	3850
N13	60	300#	RFWN	HEAT MEDIUM RETURN	3850
N14	60	150#	RFWN	HC DRAIN HEADER	180
N15	219	150#	RFWN	FLARE HEADER	3830
N16	60	150#	RFWNPT	INSTRUMENT AIR HEADER	3750
N17	60	150#	RFWN	FLOOR DRAIN	-215
N18	33	3000#	NPT	PROD. WATER METER PROVER CONNS.	500
N19	33	3000#	NPT	CONDENSATE METER PROVER CONNS.	500
N20	21	3000#	NPT	METHANOL SUPPLY FROM STORAGE	500
N21	21	3000#	NPT	METHANOL SUPPLY TO PIPE RACK	3731



<p><b>GENERAL NOTES</b></p> <p>1 ISSUED FOR CONSTRUCTION</p> <p>A ISSUED FOR APPROVAL</p>		<p>BY M. DIETER</p> <p>DATE 00/12/15</p> <p>BY M. DIETER</p> <p>DATE 00/11/10</p>		<p><b>APPROVED</b></p> <p>MECH./STRUCT. BY M. DIETER</p> <p>DATE 00/11/10</p> <p><b>ELECTRICAL</b> CHECKED</p> <p>DATE BY M. SUEZ</p> <p>PROJECT DATE 00/12/15</p> <p>DATE 00/12/15</p>		<p><b>PROPAK</b></p> <p>BP CANADA ENERGY COMPANY</p> <p>440 East Lake Road, Postal Bag #2 Airdrie, Alberta Canada T4B 2C3</p> <p>CALLUM GAS PLANT INLET SEPARATOR PACKAGE PIPING PLAN</p> <p>DWG. No.: D-ASY-00204-252 SHEET 1 OF 2 REV. 1</p>	
<p>DATE: 2000.12.18 2:02pm FILE NAME: J:\jobs00\dwg\00204\FAB\ASY\ASY-00204-252-01.dwg</p>		<p>REVISION</p>		<p>SCALE 1:25</p>		<p>1</p>	

